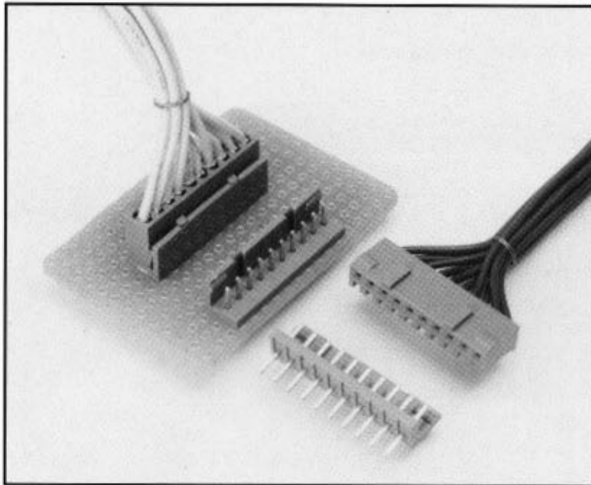


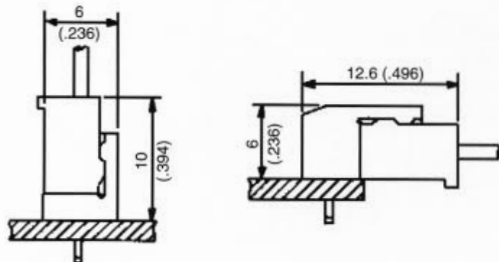
IL-G SERIES CONNECTORS

2.5mm (.098") Contact Spacing, PCB-to-Cable (Crimp Type) Connectors



FEATURES

- Low profile—10mm (.394") total mated height for straight connection
- Mismatching-prevention structure
- Friction locking mechanism
- Prevents solder-flux contamination



IL-G Series connectors are low profile, PCB-to-cable connectors with 2.5mm (.098") contact spacing.

The crimp contacts for socket housing can be terminated with a hand crimping tool, or a semi-automatic crimping machine for rapid, high volume terminations. IL-G Series connectors are available in socket housing, straight pin header and right angle pin header configurations.

GENERAL SPECIFICATIONS

Number of Contacts	2 to 15
Contact Spacing	2.5mm (.098"), single row
Current Rating	3 Amps
Dielectric Withstanding Voltage	1500 VAC r.m.s. (for one minute)
Insulation Resistance	100 megohms min.
Contact Resistance	20 milliohms max.
Operating Temperature	-40°C to +85°C
Applicable PCB Thickness	1.6 to 2.6mm (.063 to .102") thick
Applicable Wire Sizes	AWG #22 to #28

MATERIALS AND FINISHES

Description	Materials/Finishes
Insulator	6-6 Nylon (UL94V-0, Light Brown)
Pin Contact	Brass, Tin plated over Nickel
Socket Contact	Phosphor Bronze/Tin plated

ORDERING INFORMATION

	IL-G	-	**	*	-	S	3	*	2	-	E
Series											
No. of Contacts	2 to 15										
Contact Type	P - Pin S - Socket										
Contact Arrangement	S - Single Row										
Contact Spacing	3 - 2.5mm (.098")										
Termination	C - Crimp (Socket Housing) T - Straight (Pin Header) L - Right Angle (Pin Header)										
PCB Thickness (Pin Header)/Wire Size (Socket Housing)	2 - 1.6 to 2.6mm (.063 to .102") PCB Thickness or #22 AWG to #28 AWG Wire Size										
Modification Code (Pin Header Only)											

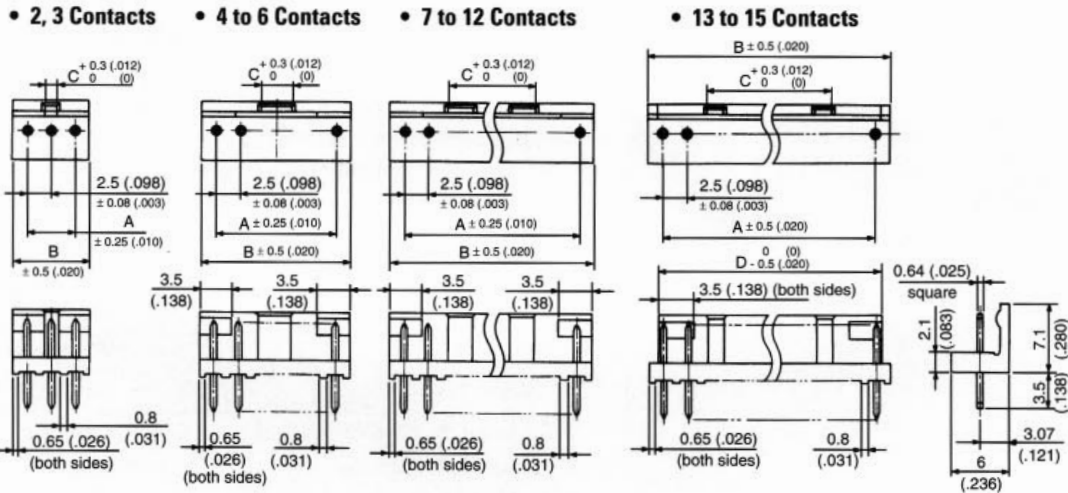
Dimensions and specifications subject to change without notice.



IL-G SERIES CONNECTORS

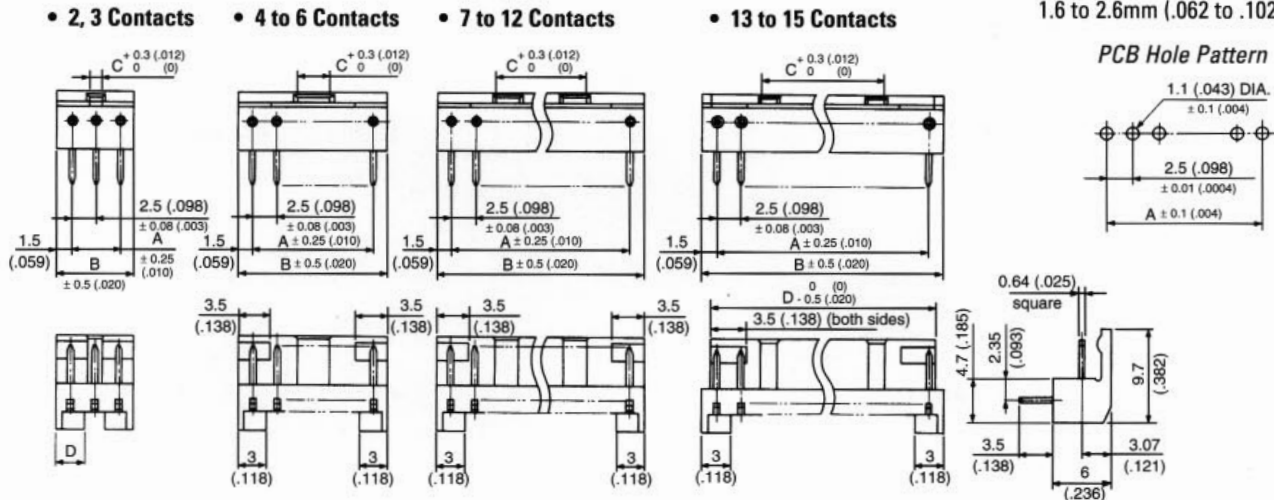
2.5mm (.098") Contact Spacing, PCB-to-Cable (Crimp Type) Connectors

STRAIGHT PIN HEADER: IL-G-**-P-S3T2-E



RIGHT ANGLE PIN HEADER: IL-G-**-P-S3L2-E

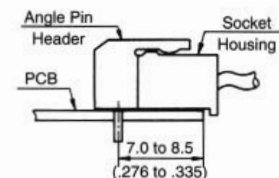
- PCB Mounting hole PCB thickness: 1.6 to 2.6mm (.062 to .102")



No. of Contacts	Part Number		A	B ± 0.5 (± .020)	C +0.3 (+.012) -0 (-0)	D
	Straight Pin Header	Right Angle Pin Header				
2	IL-G- 2P-S3T2-E	IL-G- 2P-S3L2-E	2.5 (.098)	5.5 (.217)	1.5 (.059)	1.7 (.067)
3	IL-G- 3P-S3T2-E	IL-G- 3P-S3L2-E	5 (.197)	8 (.315)	2 (.079)	3 (.118)
4	IL-G- 4P-S3T2-E	IL-G- 4P-S3L2-E	7.5 (.295)	10.5 (.413)	2.5 (.098)	—
5	IL-G- 5P-S3T2-E	IL-G- 5P-S3L2-E	10 (.394)	13 (.512)	3 (.118)	—
6	IL-G- 6P-S3T2-E	IL-G- 6P-S3L2-E	12.5 (.492)	15.5 (.610)	3.5 (.138)	—
7	IL-G- 7P-S3T2-E	IL-G- 7P-S3L2-E	15 (.591)	18 (.709)	6 (.236)	—
8	IL-G- 8P-S3T2-E	IL-G- 8P-S3L2-E	17.5 (.689)	20.5 (.807)	8.5 (.335)	—
9	IL-G- 9P-S3T2-E	IL-G- 9P-S3L2-E	20 (.787)	23 (.905)	11 (.433)	—
10	IL-G- 10P-S3T2-E	IL-G- 10P-S3L2-E	22.5 (.886)	25.5 (1.004)	13.5 (.531)	—
11	IL-G- 11P-S3T2-E	IL-G- 11P-S3L2-E	25 (.984)	28 (1.102)	16 (.630)	—
12	IL-G- 12P-S3T2-E	IL-G- 12P-S3L2-E	27.5 (1.083)	30.5 (1.201)	18.5 (.728)	—
13	IL-G- 13P-S3T2-E	IL-G- 13P-S3L2-E	30 (1.181)	33 (1.299)	21.3 (.839)	31.4 (1.236)
14	IL-G- 14P-S3T2-E	IL-G- 14P-S3L2-E	32.5 (1.280)	35.5 (1.398)	23.8 (.937)	33.9 (1.335)
15	IL-G- 15P-S3T2-E	IL-G- 15P-S3L2-E	35 (1.378)	38 (1.496)	26.3 (1.035)	36.4 (1.433)

INSTALLATION

Right-angle pin header must be installed on an edge of the board as shown below.



Dimensions in mm (inches).



Hong Kong
Tel: 2723-7782
Fax: 2723-9028

Japan
03-3780-2715
03-3780-2883

Korea
2-551-8959
2-551-8958

Philippines
46-433-0276
46-433-0287

Singapore
748-1332
748-2920

Taiwan
02-555-9711
02-556-5424

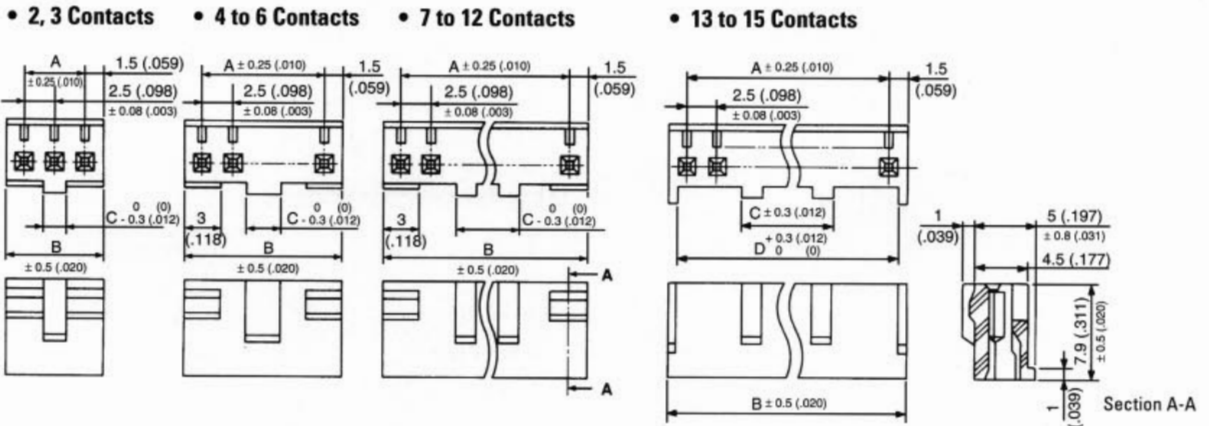
Europe
1276-21717
1276-66165

United States
949-753-2600
949-753-2699

IL-G SERIES CONNECTORS

2.5mm (.098") Contact Spacing, PCB-to-Cable (Crimp Type) Connectors

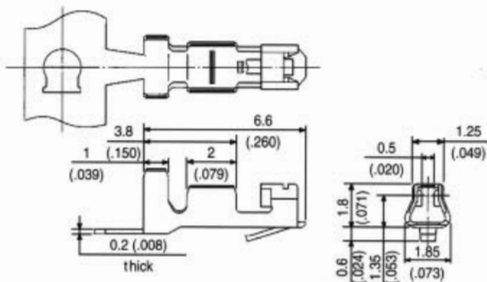
SOCKET HOUSING: IL-G-**-S-S3C2



No. of Contacts	Part Number	A ± 0.25 (± .010)	B ± 0.5 (± .020)	C +0 (-0.3) (+0 (-0.12))	D +0.3 (+0.12) (-0 (-0))
2	IL-G- 2S-S3C2	2.5 (.098)	5.5 (.217)	1.4 (.055)	—
3	IL-G- 3S-S3C2	5 (.197)	8 (.315)	1.9 (.075)	—
4	IL-G- 4S-S3C2	7.5 (.295)	10.5 (.413)	2.4 (.094)	—
5	IL-G- 5S-S3C2	10 (.394)	13 (.512)	2.9 (.114)	—
6	IL-G- 6S-S3C2	12.5 (.492)	15.5 (.610)	3.4 (.134)	—
7	IL-G- 7S-S3C2	15 (.591)	18 (.709)	5.9 (.232)	—
8	IL-G- 8S-S3C2	17.5 (.689)	20.5 (.807)	8.4 (.331)	—
9	IL-G- 9S-S3C2	20 (.787)	23 (.905)	10.9 (.429)	—
10	IL-G- 10S-S3C2	22.5 (.886)	25.5 (1.004)	13.4 (.528)	—
11	IL-G- 11S-S3C2	25 (.984)	28 (1.102)	15.9 (.626)	—
12	IL-G- 12S-S3C2	27.5 (1.083)	30.5 (1.201)	18.4 (.724)	—
13	IL-G- 13S-S3C2	30 (1.181)	33 (1.299)	20.9 (.823)	31.3 (1.232)
14	IL-G- 14S-S3C2	32.5 (1.280)	35.5 (1.398)	23.4 (.921)	33.8 (1.331)
15	IL-G- 15S-S3C2	35 (1.378)	38 (1.496)	25.9 (1.020)	36.3 (1.429)

SOCKET CONTACT (CRIMP TYPE):

P/N: IL-G-C2-SC-10000 (10000 pcs. per reel)



Applicable Wire and Crimping Tool

Applicable Wire		Crimping Tool	
AWG#	Outer Dia.	Hand Crimping tool	Semi-Automatic Crimping Machine
#28 to #26	1.0 to 1.3mm (.039 to .051")	CT150-1-ILG	CT350-2-ILG
#26 to #24	1.2 to 1.5mm (.047 to .059")	CT150-1B-ILG	
#24 to #22	1.4 to 1.7mm (.055 to .067")	CT150-1C-ILG	
#20 (Shielded Wire)	—	CT150-1D-ILG	

Contact Extraction tool:

JET-IL-G-N02

Dimensions in mm (inches).

Hong Kong
Tel: 2723-7782
Fax: 2723-9028

Japan
03-3780-2715
03-3780-2883

Korea
2-551-8959
2-551-8958

Philippines
46-433-0276
46-433-0287

Singapore
748-1332
748-2920

Taiwan
02-555-9711
02-556-5424

Europe
1276-21717
1276-66165

United States
949-753-2600
949-753-2699

